



BOSCH
Invented for life

Spare Parts Price List

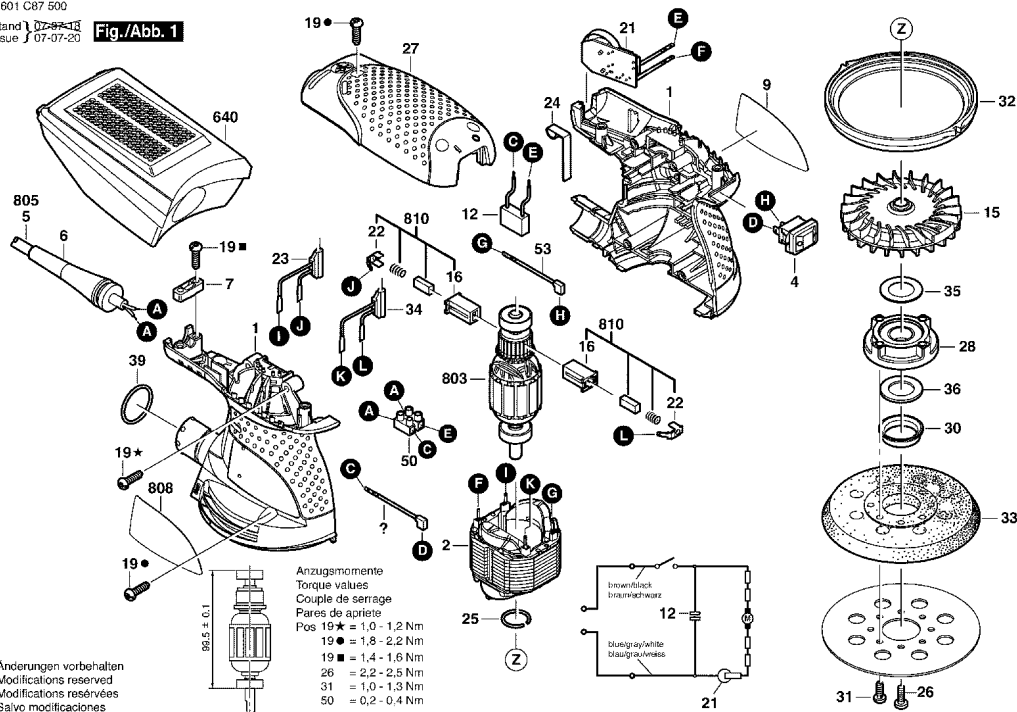
GEX 125-1 AE

3 601 C87 5K0

3 601 C87 500

Stand 07-2011
Issue 07-07-20

Fig./Abb. 1



POS No.	Qty	Part No.	Description	List Price (Rs.)
1	1	2609100539	Housing	416
2	1	2609120299	Stator 230V	545
4	1	1607200190	Switch	217
6	1	2600703017	Grommet Ø6,4-Ø7,2x	51
7	1	1611035005	Cable Clip	35
9	1	2609131502	Manufacturer's namep	50
12	1	2609120282	Suppression Filter	114
15	1	2609110637	Fan	802
16	2	2610320548	Brush Holder	50
19	9	2603490022	Torx Oval-Head Screw	19
21	1	2609120266	Speed governor	817
22	2	2610329896	Terminal	32
23	1	2609120290	Suppression Filter	75
24	1	2601329043	Contact Strap	35
25	1	2916540005	Retaining ring DIN 79	20
26	1	2610918116	Torx Oval-Head Screw	75
27	1	2609100538	Housing Cover	232
28	1	2609100862	Bearing Flange	242
30	1	2609100633	Cover	43
31	4	2610915161	Screw	72
32	1	2609170077	Friction Ring	50
33	1	2609100900	Backing Pad	573
34	1	2609120291	Suppression Filter	75
35	1	2609110724	Washer	32
36	1	2609170084	Felt	32
39	1	1610210045	O-Ring 23,0x3,0 MM	32
50	1	2610910009	Connection Block	41
53	1	2609120284	Connecting Cable	41
640	1	2609199176	Dust container	490
803	1	2609199164	Armature 230V	1824

POS No.	Qty	Part No.	Description	List Price (Rs.)
805	1	1607000387	Power supply cord	236
808	1	2609131530	Nameplate	
810	1	2609120199	Carbon-Brush Set	206